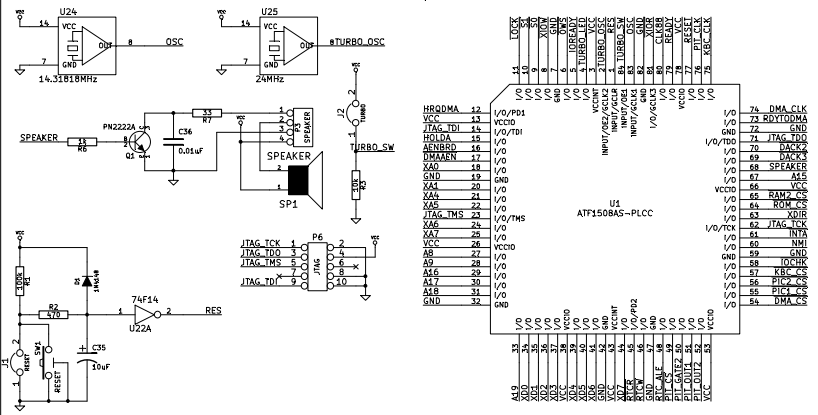
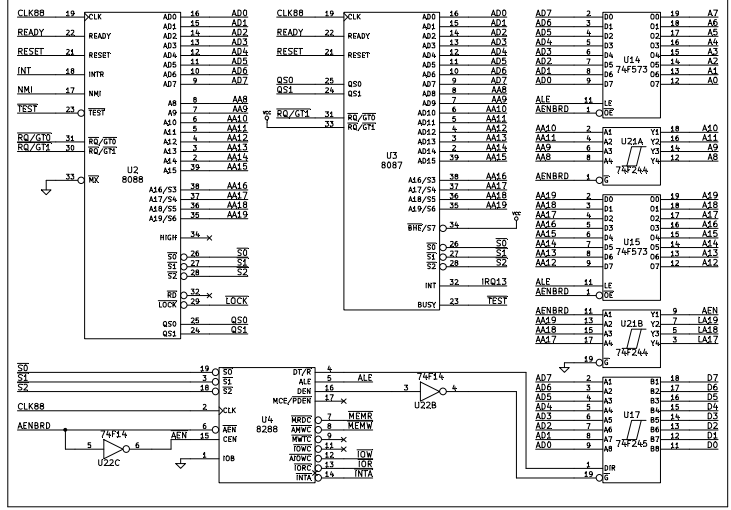


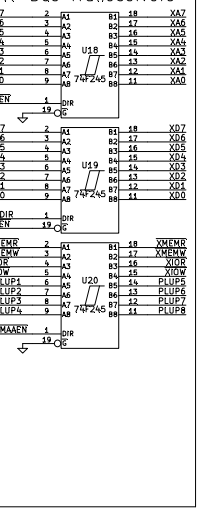
### CPLD - System Controller



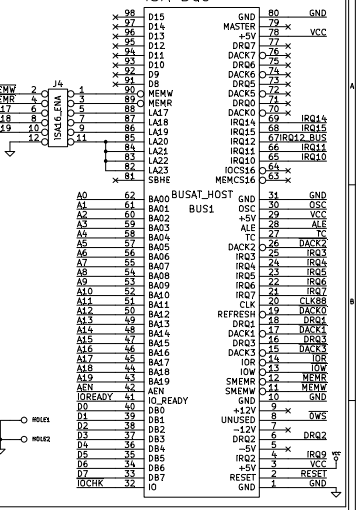
### Processor Module



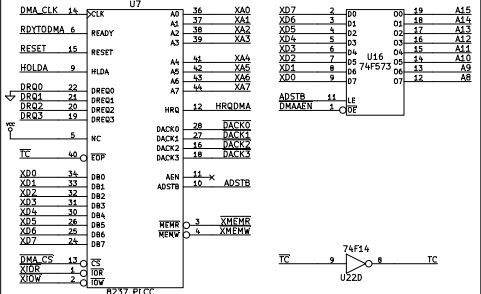
### X-Bus Transceivers



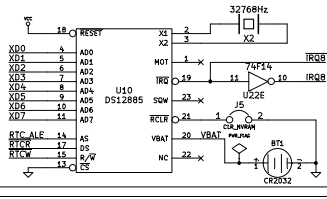
### ISA Bus



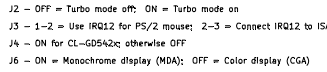
### DMA Controller and Page Register



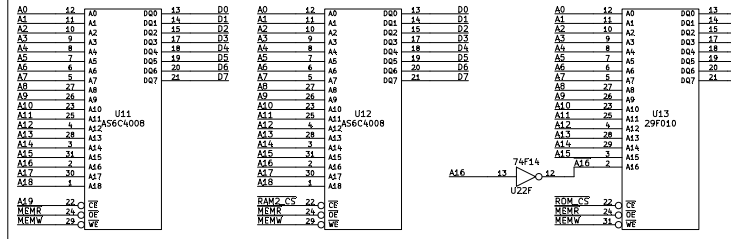
### Real Time Clock (RTC)



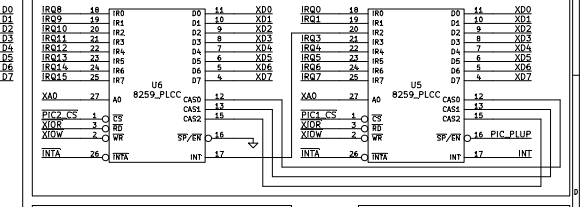
### Settings



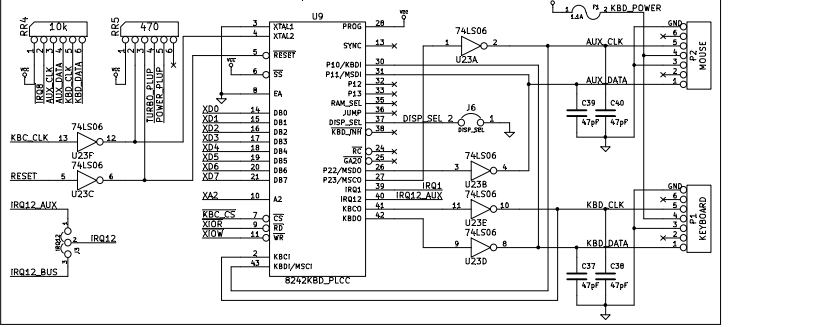
### Memory



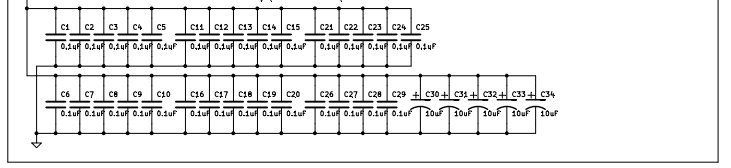
### Interrupt Controllers (PICs)



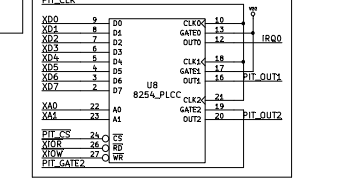
### Keyboard Controller



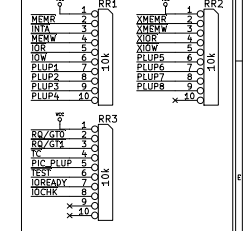
### Bypass Capacitors



### Timer (PIT)



### Pull-up Resistors



### LEDs

