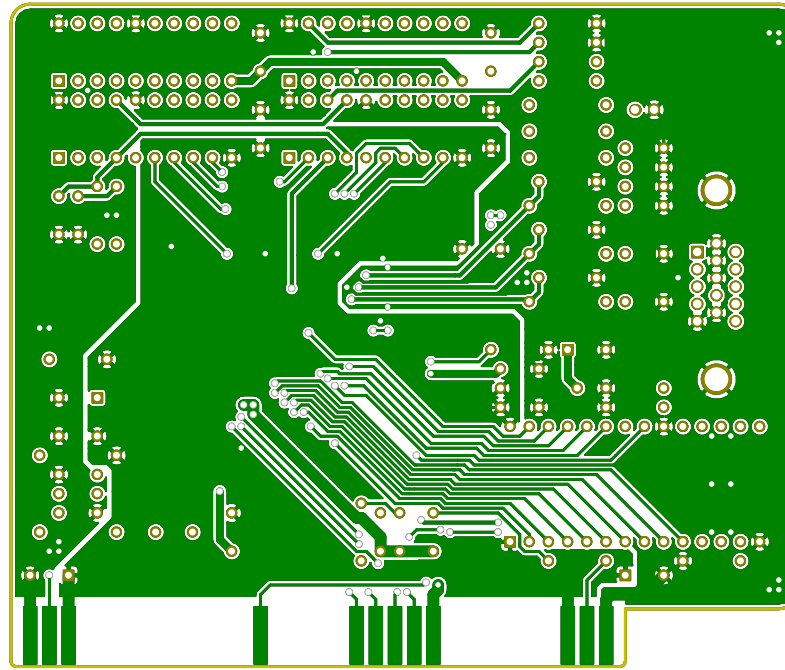


Sheet:
File: isa_svgg.kicad_pcb

Title:

Size: User Date: 6 apr 2013
KiCad E.D.A. kicad 4.0.1-stable

Rev:
Id: 1/1

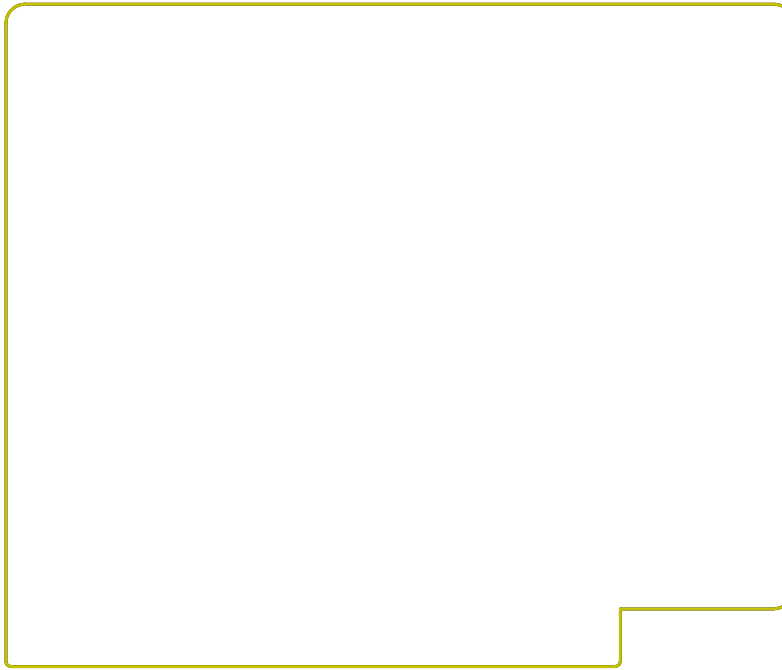


Sheet:
File: isa_svgd.kicad_pcb

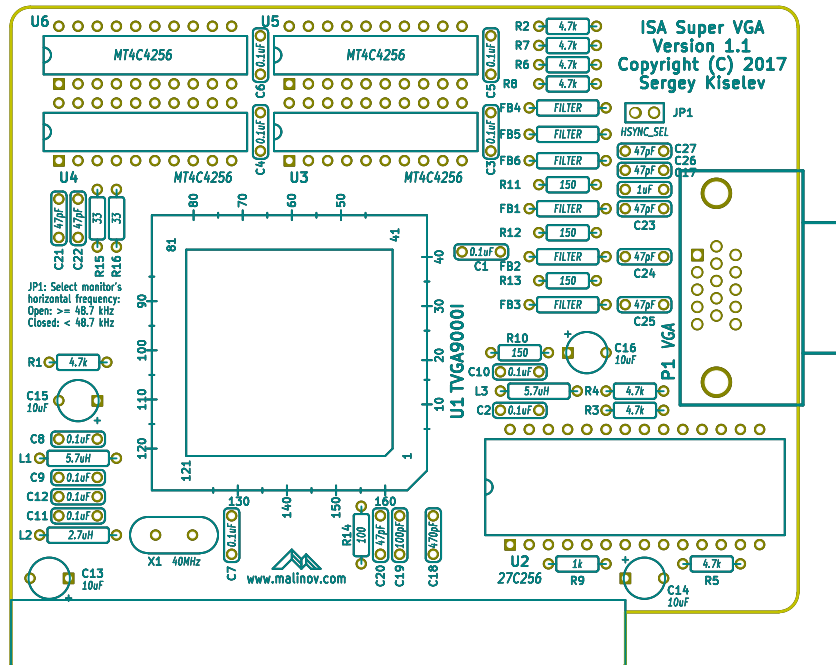
Title:

Size: User Date: 6 apr 2013
KiCad E.D.A. kicad 4.0.1-stable

Rev:
Id: 1/1



Sheet:		
File: isa_svgg.kicad_pcb		
Title:		
Size: User	Date: 6 apr 2013	Rev:
KiCad E.D.A.	kicad 4.0.1-stable	Id: 1/1



Sheet:
File: isa_svg.kicad_pcb

Title:

Size: User Date: 6 apr 2013
KiCad E.D.A. kicad 4.0.1-stable

Rev:
Id: 1/1