

File: isa_svgg.brd

Sheet: 1/1

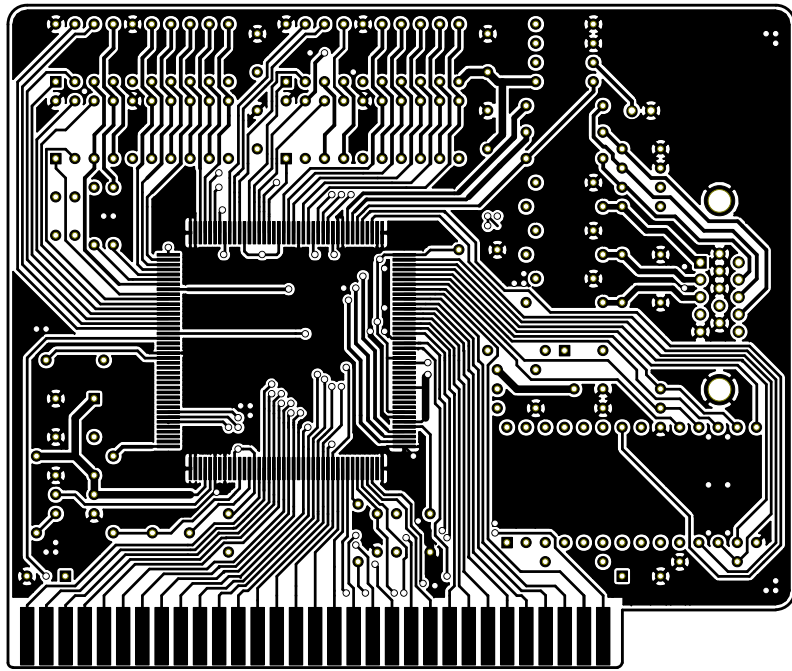
Title:

Size: User Date: 6 apr 2013

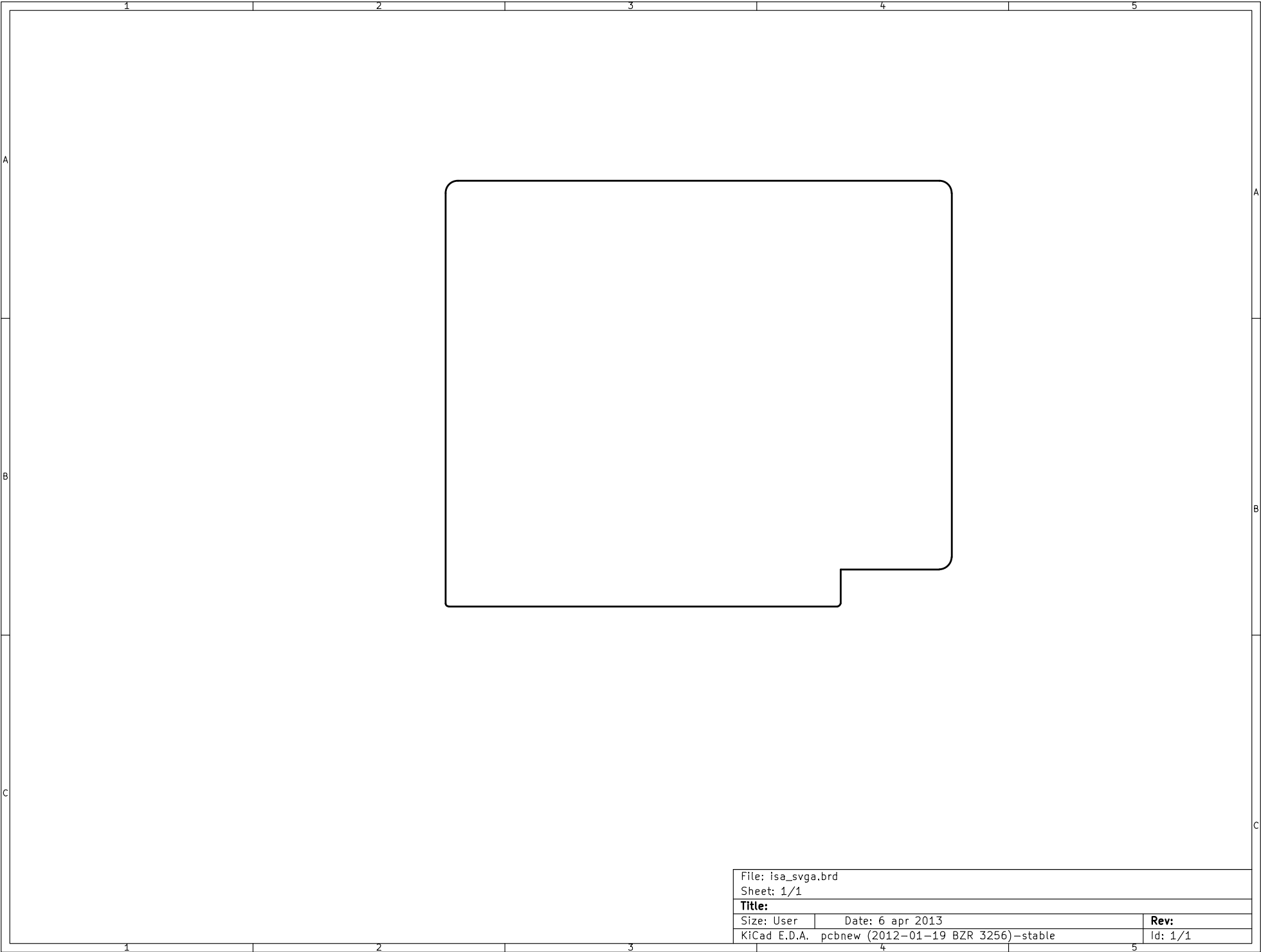
KiCad E.D.A. pcbnew (2012-01-19 BZR 3256) -stable

Rev:

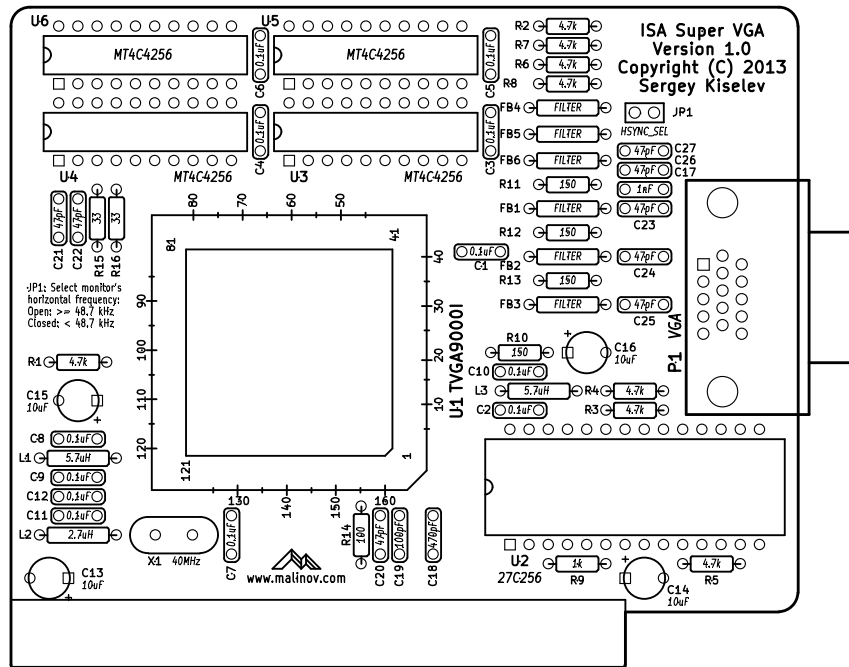
Id: 1/1



File: isa_svgga.brd		
Sheet: 1/1		
Title:		
Size: User	Date: 6 apr 2013	Rev:
KiCad E.D.A.	pcbnew (2012-01-19 BZR 3256)-stable	Id: 1/1



File: isa_svgga.brd		
Sheet: 1/1		
Title:		
Size: User	Date: 6 apr 2013	Rev:
KiCad E.D.A.	pcbnew (2012-01-19 BZR 3256)-stable	Id: 1/1



File: isa_svga.brd

Sheet: 1/1

Title:

Size: User Date: 6 apr 2013

KiCad E.D.A. pcbnew (2012-01-19 BZR 3256)-stable

Rev:

Id: 1/1