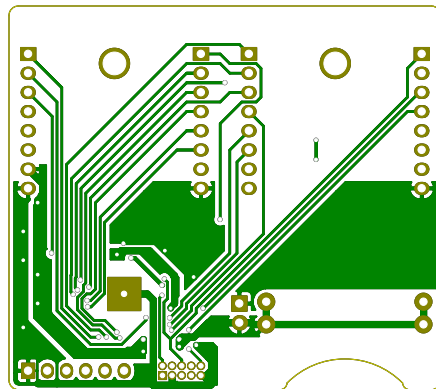
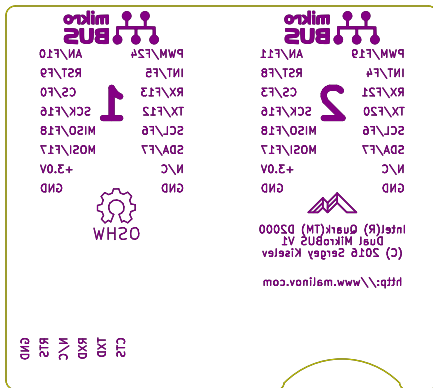


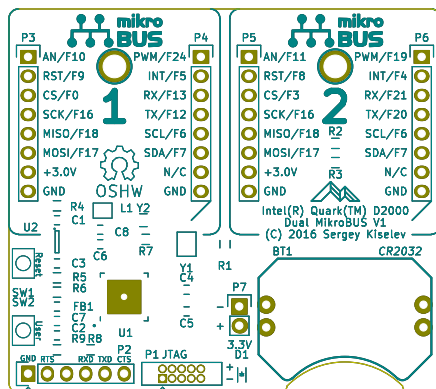
| | | | |
|--|------------------|----------|--|
| Sheet: | | | |
| File: D2000_Dual_MikroBUS.kicad_pcb | | | |
| Title: Intel(R) Quark(TM) D2000 Dual MikroBUS | | | |
| Size: USLetter | Date: 2016-10-26 | Rev: 1.0 | |
| KiCad E.D.A. kicad 4.0.1-stable | | Id: 1/1 | |



| | |
|--|------------------|
| Sheet: | |
| File: D2000_Dual_MikroBUS.kicad_pcb | |
| Title: Intel(R) Quark(TM) D2000 Dual MikroBUS | |
| Size: USLetter | Date: 2016-10-26 |
| KiCad E.D.A. kicad 4.0.1-stable | Rev: 1.0 |
| | Id: 1/1 |



| | | |
|--|--------------------|----------|
| Sheet: | | |
| File: D2000_Dual_MikroBUS.kicad_pcb | | |
| Title: Intel(R) Quark(TM) D2000 Dual MikroBUS | | |
| Size: USLetter | Date: 2016-10-26 | Rev: 1.0 |
| KiCad E.D.A. | kicad 4.0.1-stable | Id: 1/1 |



| | |
|--|------------------|
| Sheet: | |
| File: D2000_Dual_MikroBUS.kicad_pcb | |
| Title: Intel(R) Quark(TM) D2000 Dual MikroBUS | |
| Size: USLetter | Date: 2016-10-26 |
| KiCad E.D.A. kicad 4.0.1-stable | Rev: 1.0 |
| | Id: 1/1 |