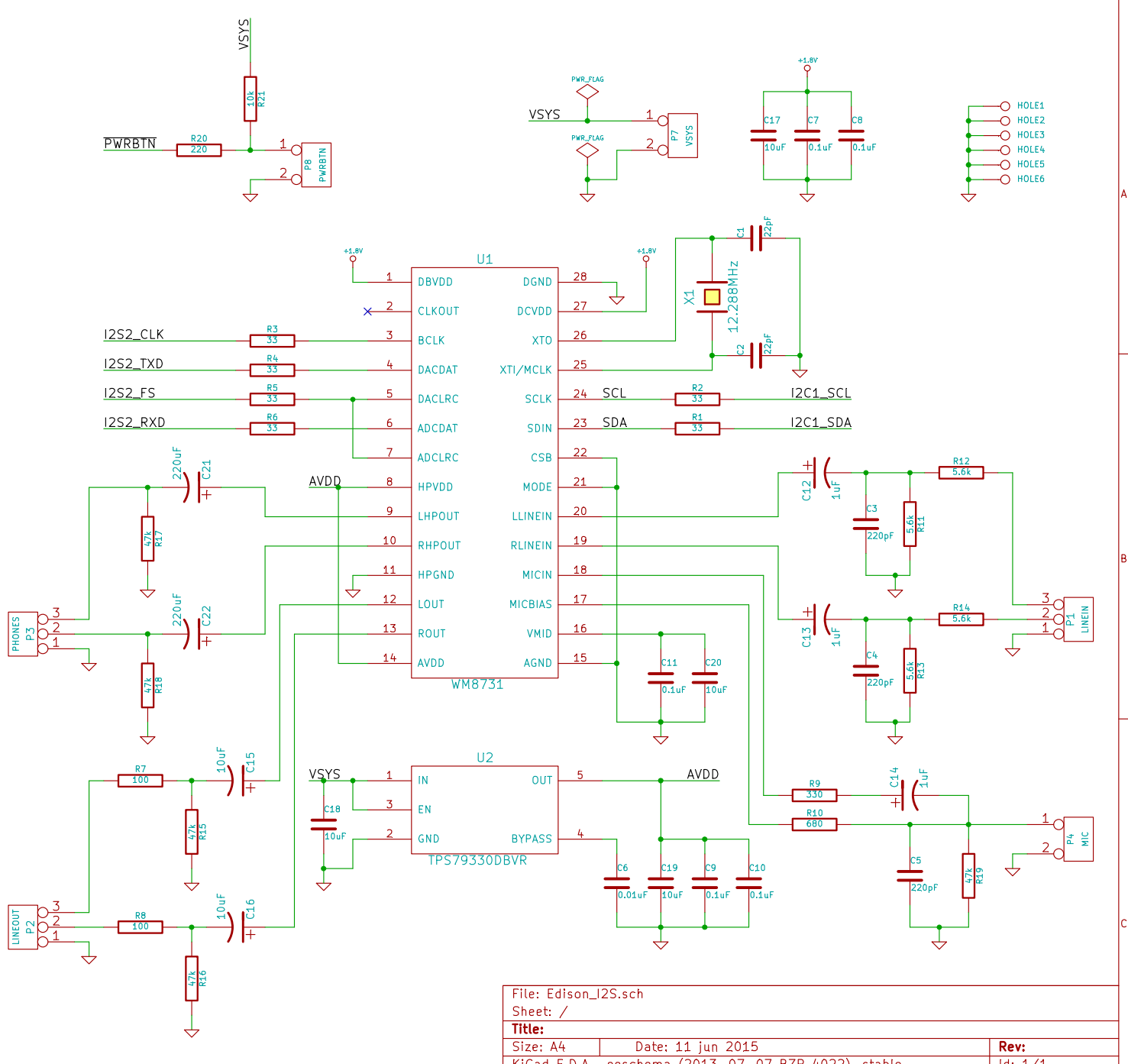


P6		P5	
GND	1	GND	2
USB_ID	3	USB_ID	4
GND	5	GND	6
SLP_CLK	7	MSIC_SLP_CLK3	8
GND	9	GND	10
GND	11	GND	12
GND	13	GND	14
GND	15	GND	16
PWRBTN	17	PWRBTN	18
FAULT	19	FAULT	20
PSW	21	PSW	22
V_BKUP	23	V_VBAT_BKUP	24
GP165	25	GP165	26
UART2_TX	27	GP135_UART2_TX	28
	29	NC	30
RCVR_MD	31	RCVR_MODE	32
PWM1	33	GP13_PWM1	34
PWM0	35	GP12_PWM0	36
PMW2	37	GP182_PWM2	38
PWM3	39	GP183_PWM3	40
I2C1_SCL	41	GP19_I2C1_SCL	42
I2C1_SDA	43	GP20_I2C1_SDA	44
I2C6_SCL	45	GP27_I2C6_SCL	46
I2C6_SDA	47	GP28_I2C6_SDA	48
	49	NC	50
SPI2_FS1	51	GP111_SPI2_FS1	52
SPI2_FS0	53	GP110_SPI2_FS0	54
SPI2_CLK	55	GP109_SPI2_CLK	56
SPI2_TXD	57	GP115_SPI2_TXD	58
SPI2_RXD	59	GP114_SPI2_RXD	60
UART1_RX	61	GP130_UART1_RX	62
UART1_RTS	63	GP129_UART1_RTS	64
UART1_CTS	65	GP128_UART1_CTS	66
OSC	67	OSC_CLK_OUT_0	68
FW_RCVR	69	FW_RCVR	70
EDISON_HOST		EDISON_DEVICE	
P2		P3	
GND	1	GND	2
USB_ID	3	USB_ID	4
GND	5	GND	6
SLP_CLK	7	MSIC_SLP_CLK3	8
GND	9	GND	10
GND	11	GND	12
GND	13	GND	14
GND	15	GND	16
PWRBTN	17	PWRBTN	18
FAULT	19	FAULT	20
PSW	21	PSW	22
V_BKUP	23	V_VBAT_BKUP	24
GP165	25	GP165	26
UART2_TX	27	GP135_UART2_TX	28
	29	NC	30
RCVR_MD	31	RCVR_MODE	32
PWM1	33	GP13_PWM1	34
PWM0	35	GP12_PWM0	36
PMW2	37	GP182_PWM2	38
PWM3	39	GP183_PWM3	40
I2C1_SCL	41	GP19_I2C1_SCL	42
I2C1_SDA	43	GP20_I2C1_SDA	44
I2C6_SCL	45	GP27_I2C6_SCL	46
I2C6_SDA	47	GP28_I2C6_SDA	48
	49	NC	50
SPI2_FS1	51	GP111_SPI2_FS1	52
SPI2_FS0	53	GP110_SPI2_FS0	54
SPI2_CLK	55	GP109_SPI2_CLK	56
SPI2_TXD	57	GP115_SPI2_TXD	58
SPI2_RXD	59	GP114_SPI2_RXD	60
UART1_RX	61	GP130_UART1_RX	62
UART1_RTS	63	GP129_UART1_RTS	64
UART1_CTS	65	GP128_UART1_CTS	66
OSC	67	OSC_CLK_OUT_0	68
FW_RCVR	69	FW_RCVR	70
EDISON_HOST		EDISON_DEVICE	



File: Edison_I2S.sch
 Sheet: /
 Title:
 Size: A4 Date: 11 jun 2015
 KiCad E.D.A. eschema (2013-07-07 BZR 4022)-stable Rev:
 Id: 1/1