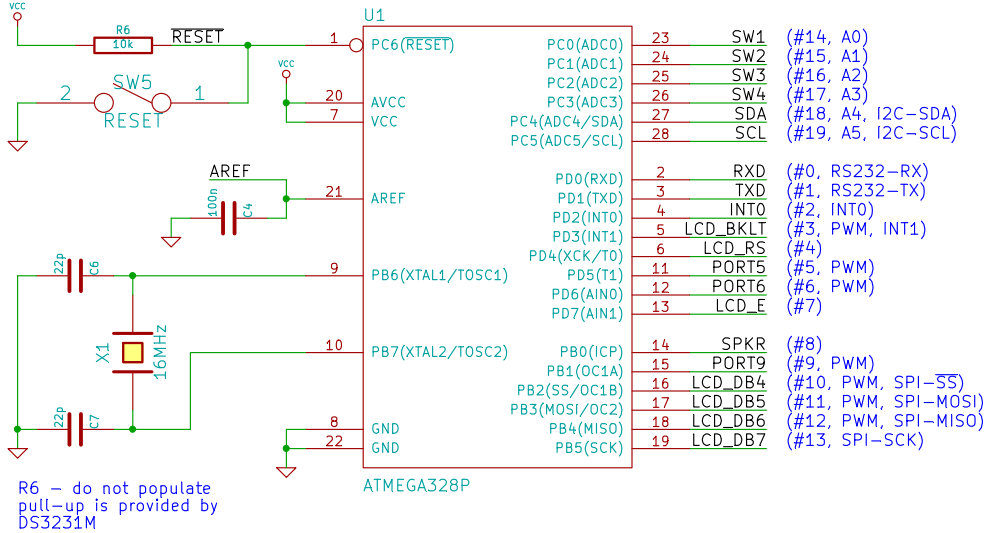
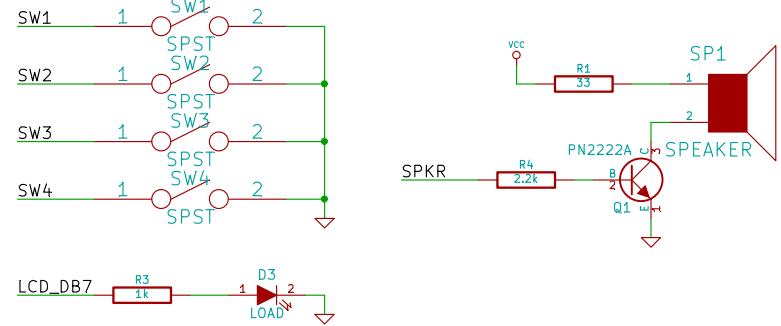


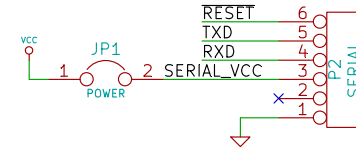
ATmega Microcontroller



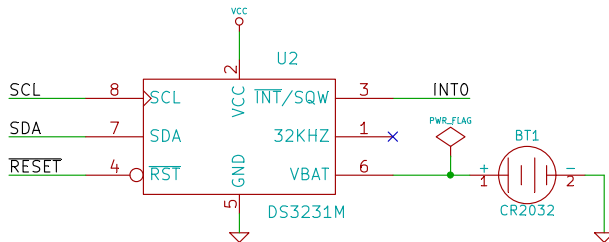
Inputs/Outputs



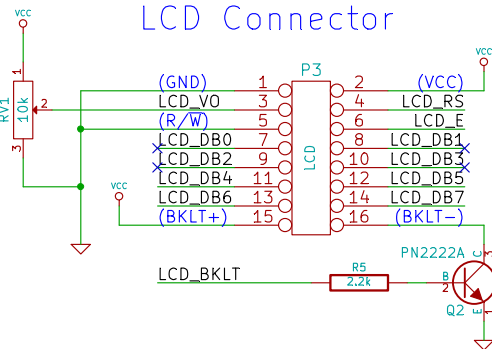
Serial Port



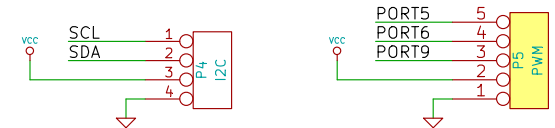
Real Time Clock (RTC)



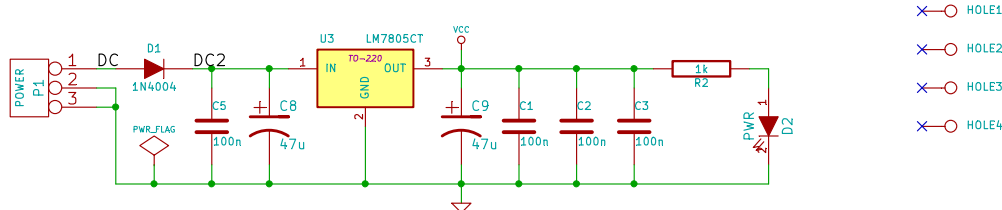
LCD Connector



Extension Headers



Power Supply



- HOLE1
- HOLE2
- HOLE3
- HOLE4

File: Alarm.sch

Sheet: /

Title:

Size: USLetter Date: 22 feb 2015

KiCad E.D.A. eschema (2013-07-07 BZR 4022)-stable

Rev:

Id: 1/1